

ZF 325 IV

TECHNICAL DATA SHEET

ZF 325 SERIES PRODUCT DETAILS

Description

- Fully works tested, reliable and simple to install
- Design, manufacture and quality control standards comply with ISO 9001 and AQAP
- Compatible with all types of engines and propulsion systems
- Suitable for high performance applications in luxury motoryachts, sport fishers, express cruisers etc
- Reverse reduction marine transmission with hydraulically actuated multi-disc clutches

Features

- Lightweight and robust aluminum alloy casing (sea water resistant)
- Case hardened and precisely ground gear teeth for long life and smooth running
- Output shaft thrust bearing designed to take maximum propeller thrust astern and ahead
- Smooth and reliable hydraulic shifting with control lever for attachment of push-pull cable
- Suitable for twin engine installations (same ratio and torque capacity in ahead or astern mode)
- Replaceable oil filter cartridge
- Compact, space saving design; 14° vee-angle and beveloid gear



ZF 325 IV

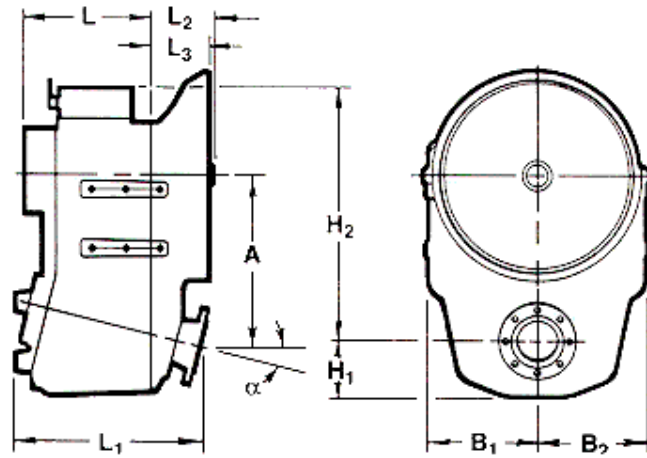
RATINGS

| Ratios | Power Factor | | Input Power Capacity | | | | | | Max. kW | Max. hp | Max. RPM |
|-----------------------------|--------------|--------|----------------------|-----|----------|-----|----------|-----|------------|------------|-------------|
| | kW/RPM | hp/RPM | kW | hp | kW | hp | kW | hp | | | |
| Pleasure Duty - Diesel | | | 2100 RPM | | 2300 RPM | | 2500 RPM | | | | |
| 1.216, 1.485*, 1.733, 2.037 | 0.2595 | 0.3480 | 545 | 731 | 597 | 800 | 649 | 870 | 779 | 1044 | 3000 |
| 2.417 | 0.2334 | 0.3130 | 490 | 657 | 537 | 720 | 584 | 783 | 700 | 939 | 3000 |
| Light Duty - Diesel | | | 2100 RPM | | 2300 RPM | | 2500 RPM | | | | |
| 1.216, 1.485*, 1.733, 2.037 | 0.2340 | 0.3138 | 491 | 659 | 538 | 722 | 585 | 785 | 702 | 941 | 3000 |
| 2.417 | 0.2108 | 0.2827 | 443 | 594 | 485 | 650 | 527 | 707 | 632 | 848 | 3000 |
| Medium Duty - Diesel | | | 1800 RPM | | 2100 RPM | | 2300 RPM | | | | |
| 1.216, 1.485*, 1.733, 2.037 | 0.1776 | 0.2382 | 320 | 429 | 373 | 500 | 408 | 548 | 533 | 715 | 3000 |
| 2.417 | 0.1669 | 0.2238 | 300 | 403 | 350 | 470 | 384 | 515 | 501 | 671 | 3000 |

* Special Order Ratio

ZF 325 IV

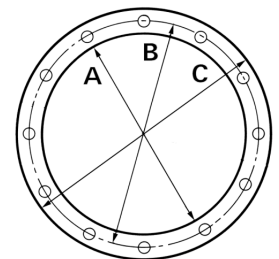
DIMENSIONS



| A | B1 | B2 | H1 | H2 | L | L1 | L2 |
|-----------------|-------------|-------|-------------|-------|-------------------|-------|--------------------|
| Millimeter (mm) | | | | | | | |
| 378.3 | 292.0 | 220.0 | 140.0 | 655.0 | 489.0 | 356.8 | 55.0 |
| Inch (in) | | | | | | | |
| 14.89 | 11.5 | 8.66 | 5.51 | 25.79 | 19.25 | 14.05 | 2.17 |
| Angle (°) | Weight (kg) | | Weight (lb) | | Amount of Oil (l) | | Amount of Oil (qt) |
| 14 | 185 | | 408 | | 8.0 | | 8.5 |

BELL HOUSING DIMENSIONS

| Name | A | | B | | C | | L3 | | Bolt Holes | | |
|-------|--------|-------|--------|-------|--------|-------|------|------|------------|----------|------|
| | mm | in | mm | in | mm | in | mm | in | No. | Diameter | |
| | | | | | | | | | | mm | in |
| SAE 1 | 511.2 | 20.13 | 530.2 | 20.87 | 554.0 | 21.81 | 45.0 | 1.77 | 12 | 12.0 | 0.47 |
| SAE 2 | 447.68 | 17.63 | 466.73 | 18.38 | 488.95 | 19.25 | | | 12 | 10.32 | 0.41 |



OUTPUT FLANGE DIMENSIONS

| A | | B | | C | | D | | Bolt Holes | | |
|-------|------|-------|------|-------|------|------|------|------------|--------------|------|
| mm | in | mm | in | mm | in | mm | in | No. | Diameter (E) | |
| | | | | | | | | | mm | in |
| 170.0 | 6.69 | 140.0 | 5.51 | 115.0 | 4.53 | 16.0 | 0.63 | 12 | 16.2 | 0.64 |



GENERAL INFORMATION

Duty Definitions

Pleasure Duty

Highly intermittent operation with very large variations in engine speed and power.

| | |
|---------------------------------------|--|
| Average engine operating hours limit: | 500 hours/year 300 hours/year for mechanical gearboxes |
| Typical hull forms: | Planing |
| Applications: | Private, non-commercial, non-charter leisure activities, no racing |

Light Duty

Intermittent operation with large variations in engine speed and power.

| | |
|---------------------------------------|---|
| Average engine operating hours limit: | 2500 hours/year (for hydraulic transmissions smaller than ZF 2000 series, 2000 hours/year) |
| Typical hull forms: | Planing and semi-displacement |
| Typical applications: | Private and charter, sport/leisure activities, naval and police activities |

Medium Duty

Intermittent operation with some variations in engine speed and power.

| | |
|---------------------------------------|--|
| Average engine operating hours limit: | 4000 hours/year (for hydraulic transmissions smaller than ZF 2000 series and workboat ZF W2700 series, 3500 hours/year) |
| Typical hull forms: | Semi-displacement and displacement |
| Typical applications: | Charter and commercial craft (example: crew boats), and naval and police activities |

Continuous Duty

Continuous operation with little or no variations in engine speed and power.

| | |
|---------------------------------------|-------------------------------|
| Average engine operating hours limit: | Unlimited |
| Typical hull forms: | Displacement |
| Typical applications: | Heavy duty commercial vessels |

Technical Notes

Duty Ratings

Ratings apply to marine diesel engines at the indicated speeds. At other engine speeds, the respective power capacity (kW) of the transmission can be obtained by multiplying the Power/Speed ratio by the speed. Approximate conversion factors:

- 1 kW = 1.36 metric hp
- 1 kW = 1.34 U.S. hp (SAE)
- 1 U.S. hp = 1.014 metric hp
- 1 Nm = 0.74 lb.ft.
- 1 Kg = 0.454 lb

Ratings apply to right hand turning engines, i.e. engines having counterclockwise rotating flywheels when viewing the flywheel end of the engine. These ratings allow full power through forward and reverse gear trains, unless otherwise stated. Contact your nearest ZF Sales and Service office for ratings applicable to gas turbines, as well as left hand turning engines, and marine transmissions for large horsepower capacity engines. Ratings apply to marine transmissions currently in production or in development and are subject to change without prior notice.

NOTE: The maximum rated input power must not be exceeded (see respective ratings in the technical data sheets).

Safe Operating Notice

The safe operation of ZF products depends upon adherence to technical data presented in our brochures. Safe operation also depends upon proper installation, operation and routine maintenance and inspection under prevailing conditions and recommendations set forth by ZF. Damage to transmission caused by repeated or continuous emergency manoeuvres or abnormal operation is not covered under warranty. It is the responsibility of users and not ZF to provide and install guards and safety devices, which may be required by recognized safety standards of the respective country (e.g. for U.S.A. - the Occupational Safety Act of 1970 and its subsequent provisions).

Monitoring Notice

The safe operation of ZF products depends upon adherence to ZF monitoring recommendations presented in our operating manuals, etc. It is the responsibility of users and not ZF to provide and install monitoring devices and safety interlock systems as may be deemed prudent by ZF. Consult ZF for details and recommendations.

Survey Society Classification

In most cases, the maximum medium and continuous duty ratings permitted by ZF are accepted in full by major classification societies. If classification is required, contact ZF regarding proper procedures (also for yacht service and ice classifications service).

Dimensions and Weights

Dimensions and weights refer to transmissions with bell housing (where appropriate) but excluding options such as: trolling valves, power take-offs, propeller shaft companion flanges, torsional couplings etc.

Torsional Vibration and Torsional Couplings

The responsibility for ensuring torsional vibration compatibility rests with the overall propulsion system integration responsible party.

Compatibility check of torsional vibration must include excitations induced by engine governor. ZF cannot accept any liability for gearbox noise or for damage to the gearbox, the flexible coupling or to other parts of the drive unit caused by torsional vibrations. Contact ZF for further information and assistance.

For single engine powered boats, where loss of propulsion can result in loss of control, ZF recommends the use of a torsional limit stop. It is the buyer's responsibility to specify this option. ZF cannot accept any liability for personal injury, loss of life or damage or loss of property due to the failure of the buyer to specify a torsional limit stop.

ZF selects torsional couplings on the basis of nominal input torque at commonly rated engine speeds. Consult ZF for details concerning speed limits of standard offered torsional couplings, which can be below transmission limits. Special torsional couplings may be required for Survey Society requirements.